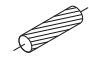


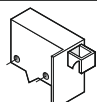
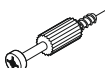

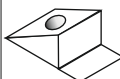
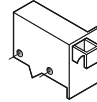
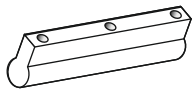

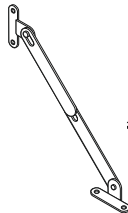



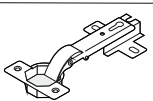







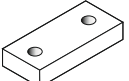
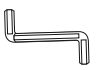

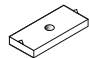
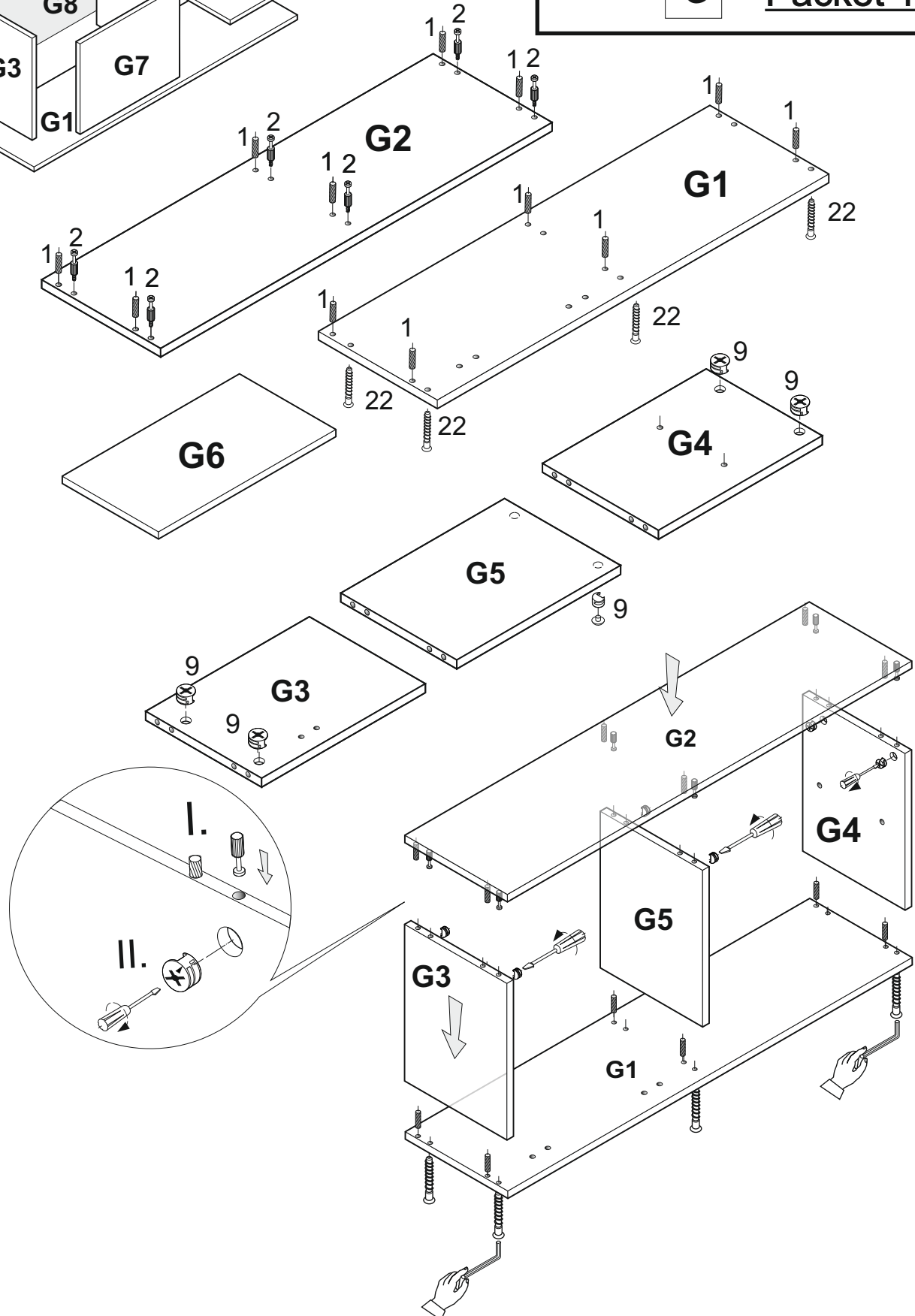
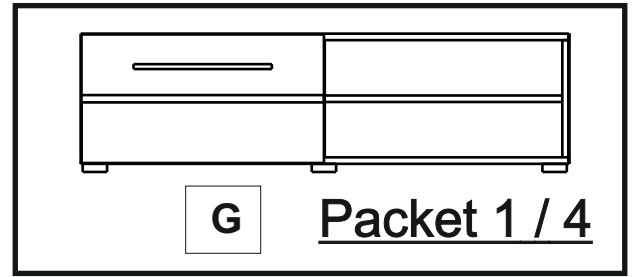
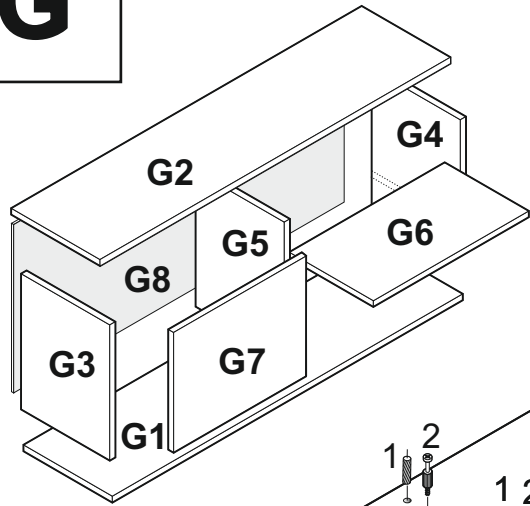
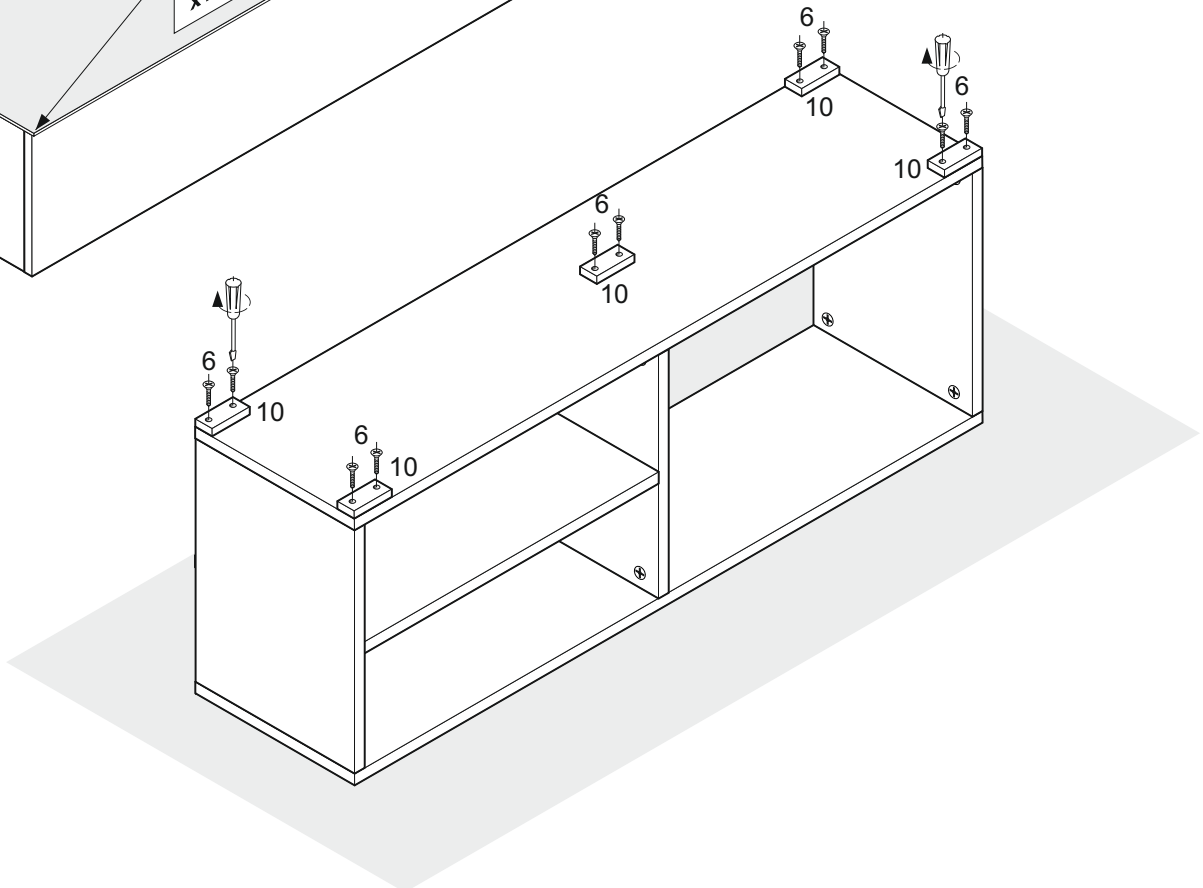
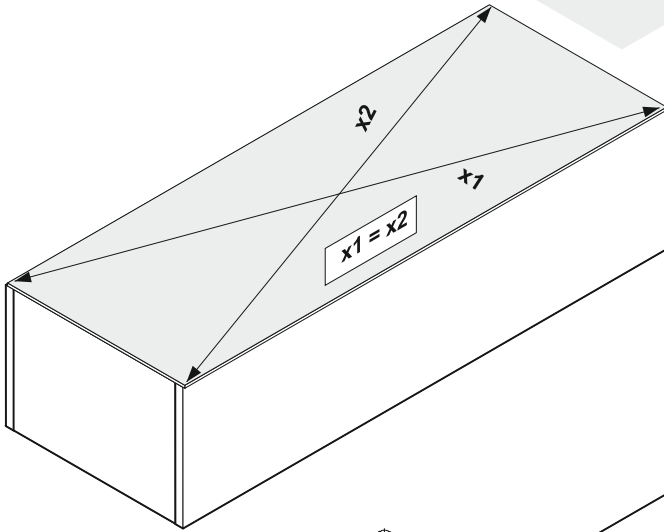
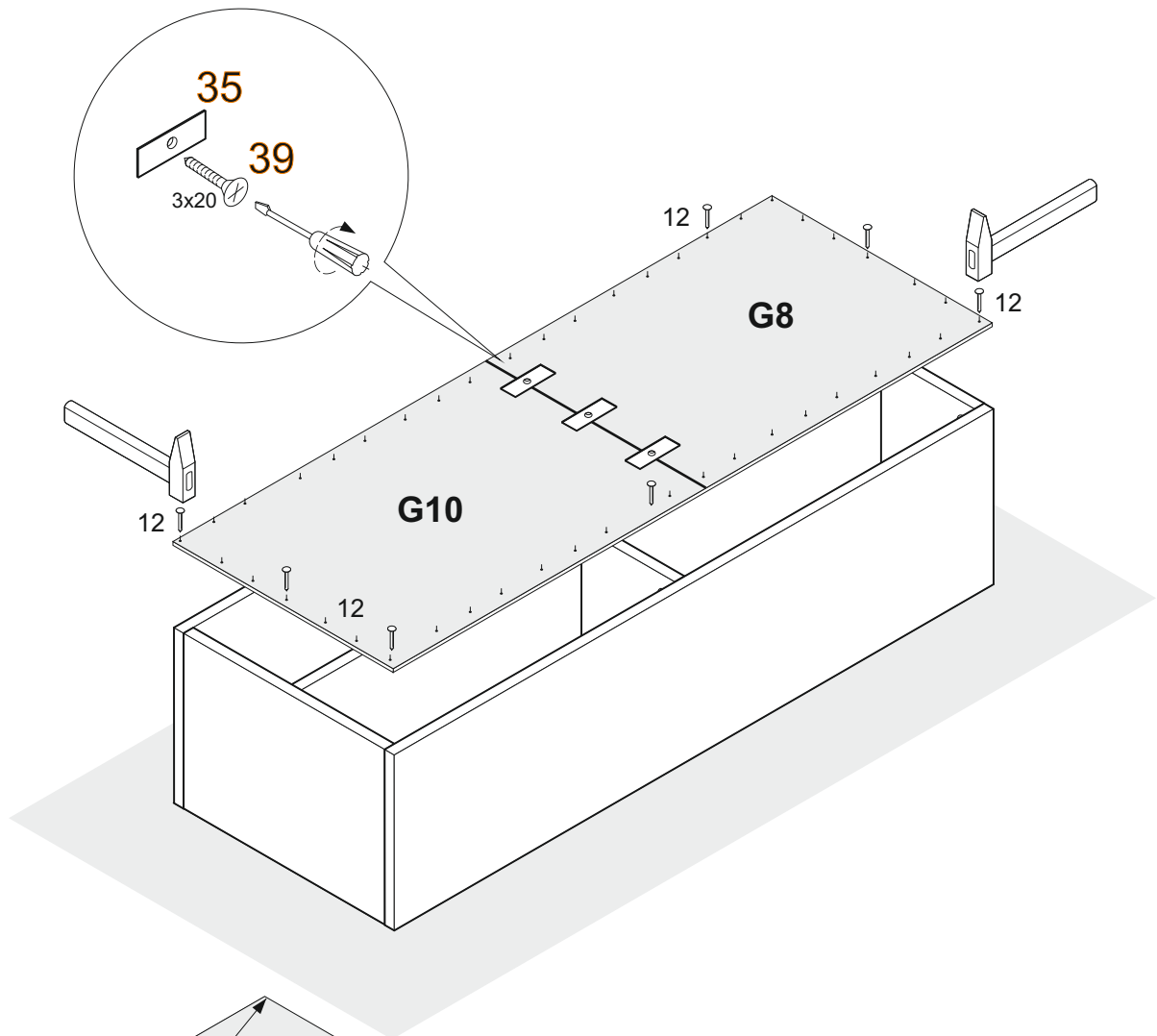


1	 8x35	<u>X 56</u>	4A	 4x16	<u>X 12</u>	12	 <u>X 120</u>	17	 <u>X 2</u>
2		<u>X 36</u>	14		<u>X 16</u>	38	 <u>X 20</u>	18	 <u>X 2</u>
3		<u>X 6</u>	72		<u>X 2</u>	7	 <u>X 2</u>	21	 4x30 <u>X 16</u>
4	 4x30	<u>X 18</u>	9		<u>X 36</u>			30	LED LIGHTS <u>X 1</u>
5		<u>X 12</u>	9A		<u>X 28</u>	22	 7x50 <u>X 18</u>	39	 3x20 <u>X 38</u>
6	 5x11	<u>X 58</u>	9B		<u>X 8</u>	22A	 <u>X 18</u>	13	 <u>X 32</u>
10		<u>X 10</u>	26		<u>X 1</u>	36	 <u>X 12</u>	35	 <u>X 18</u>

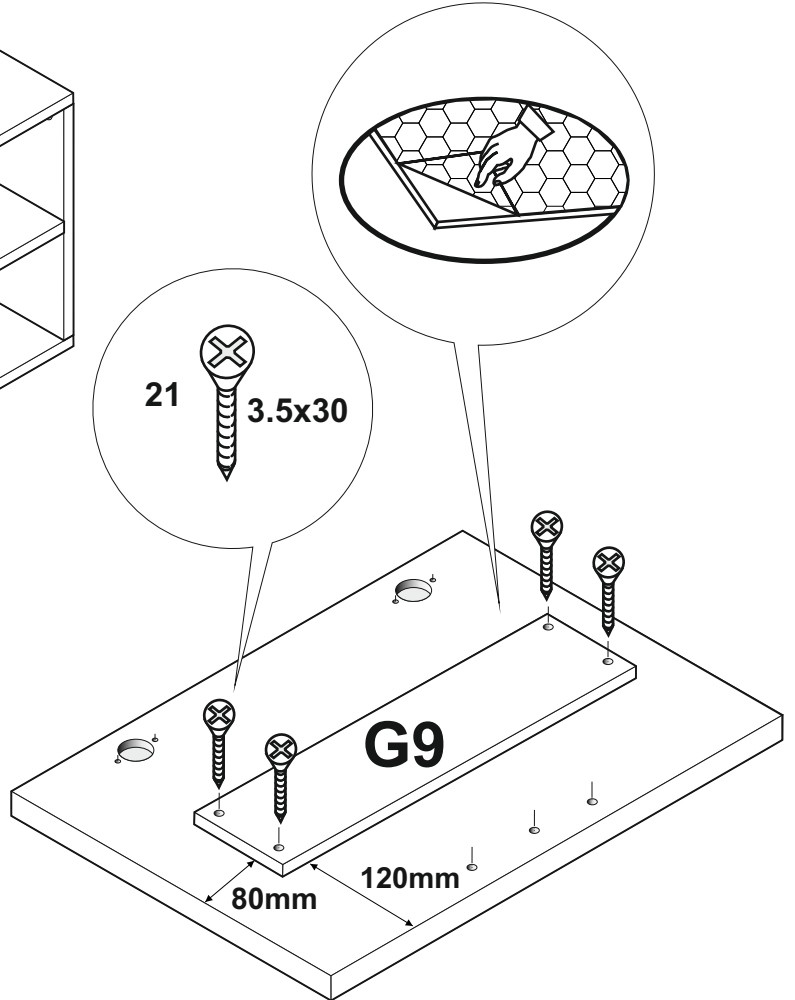
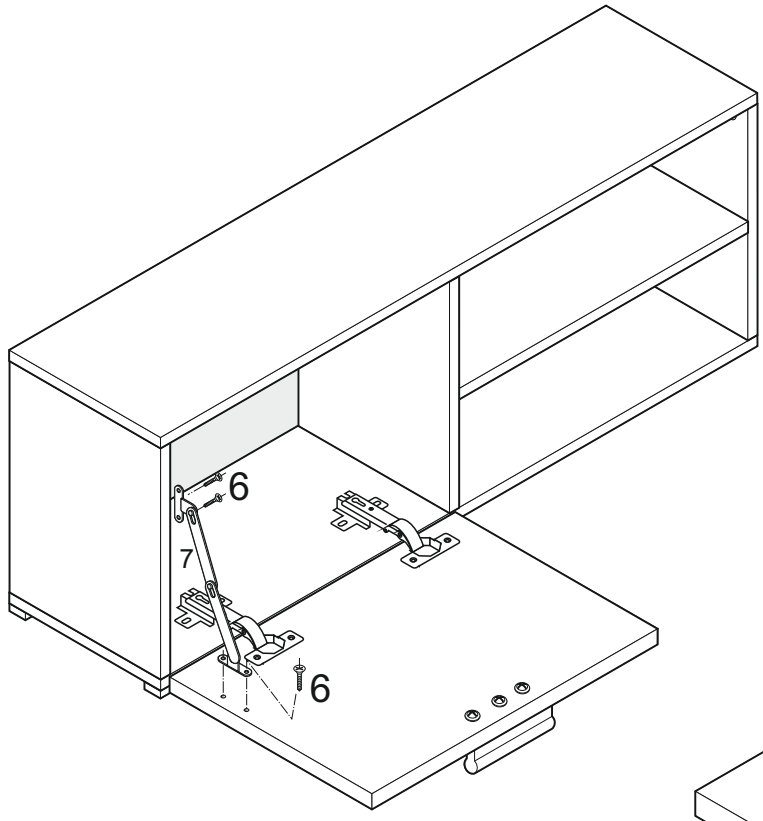
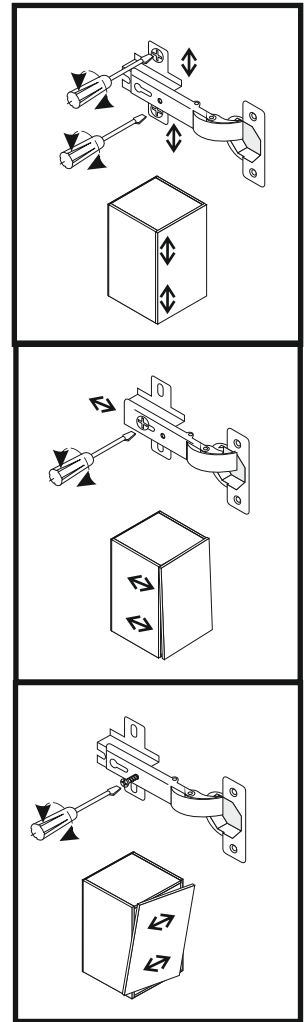
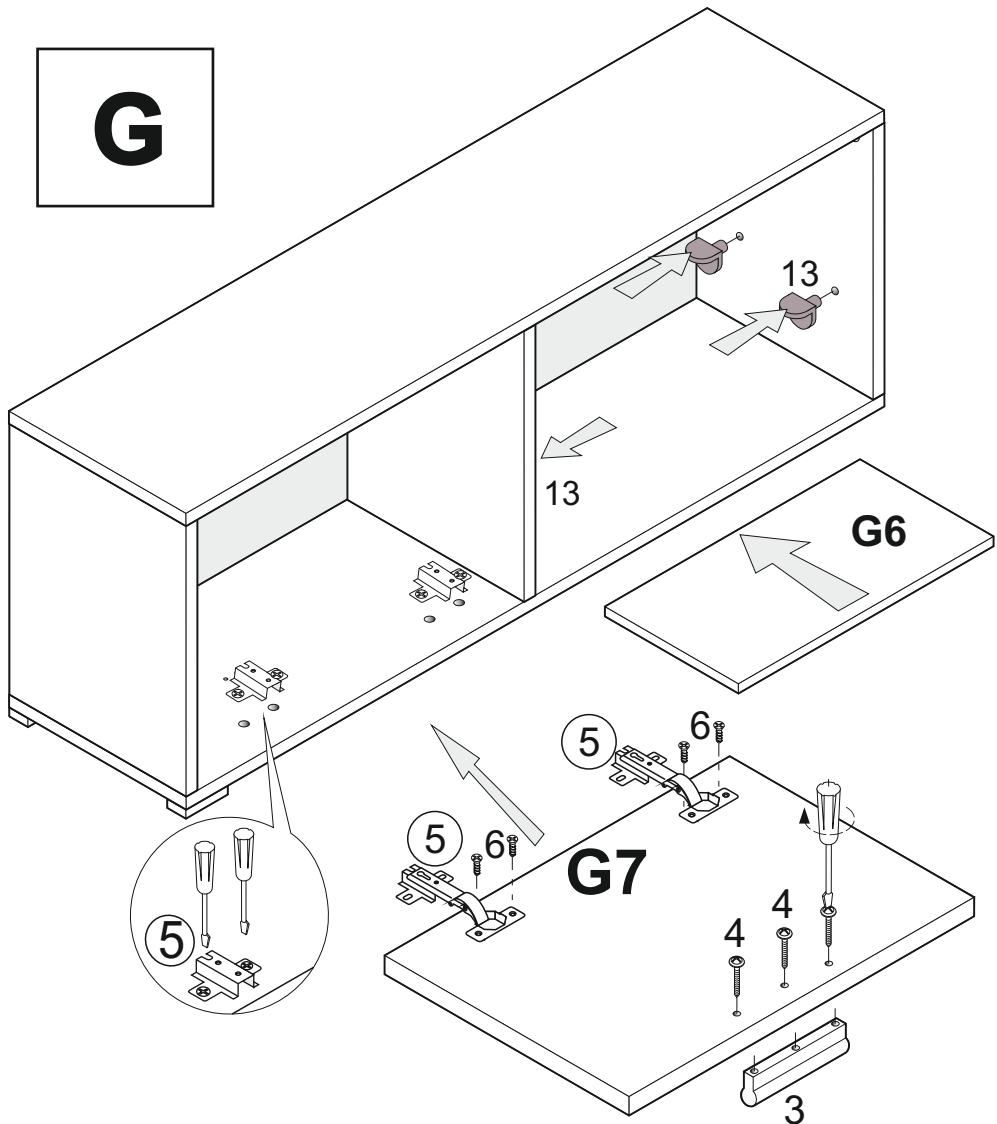
G



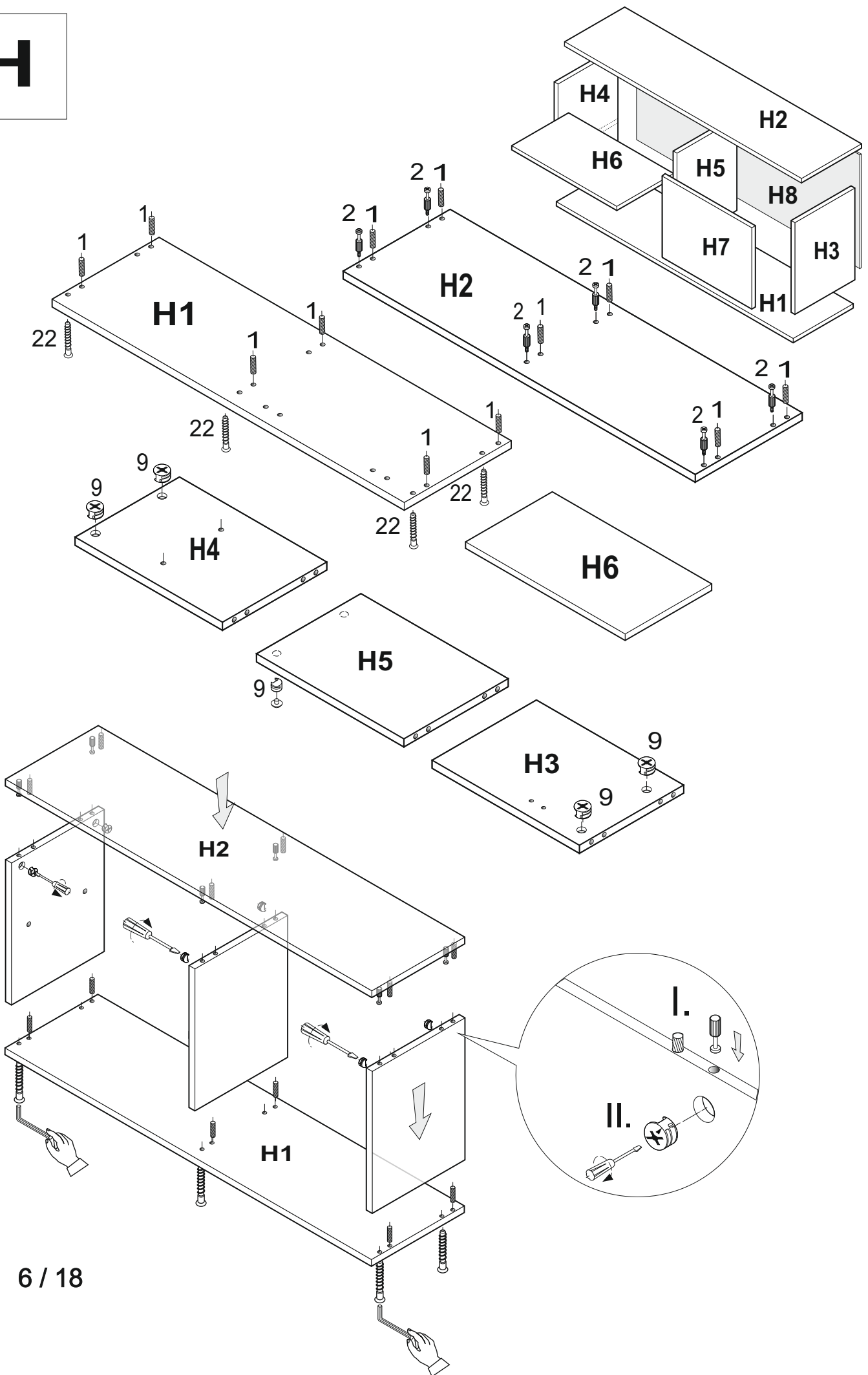
A



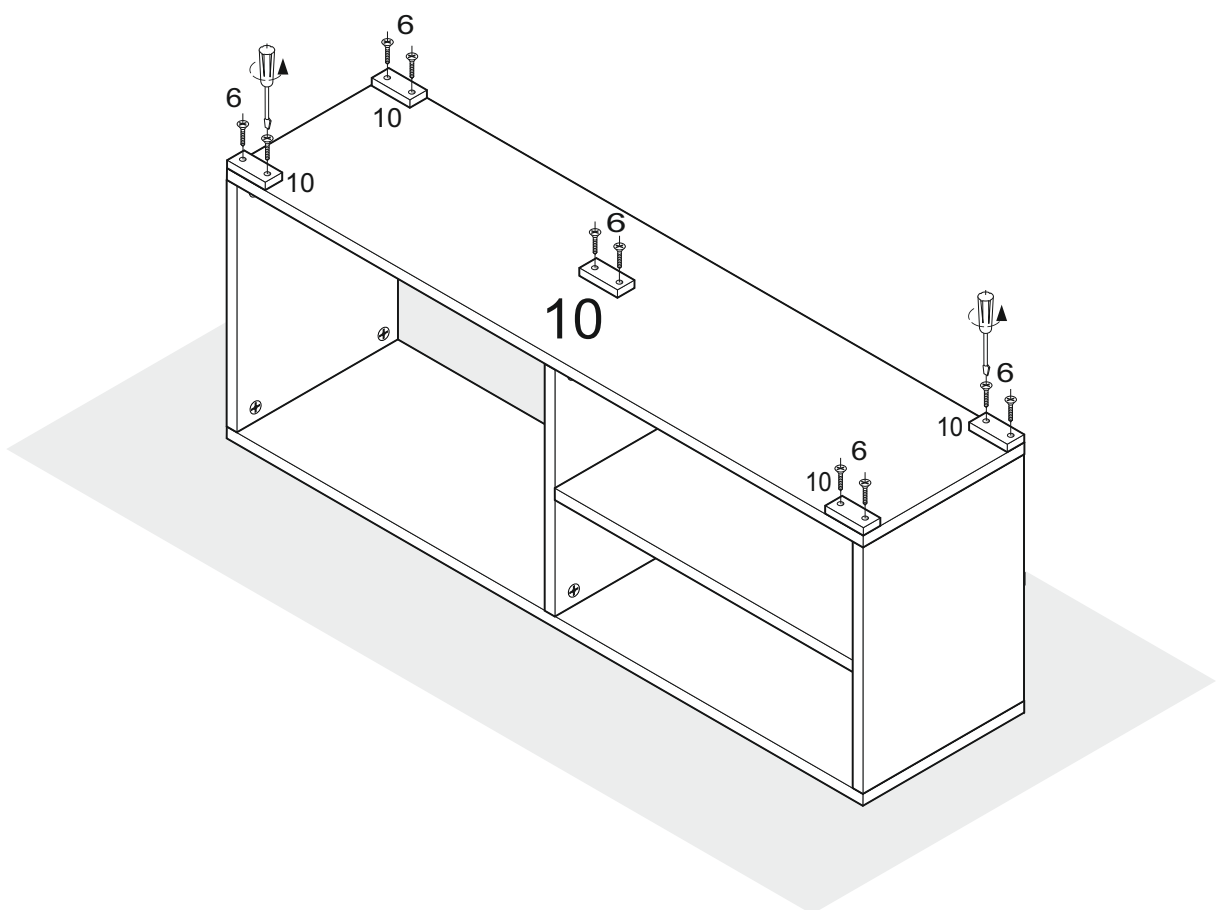
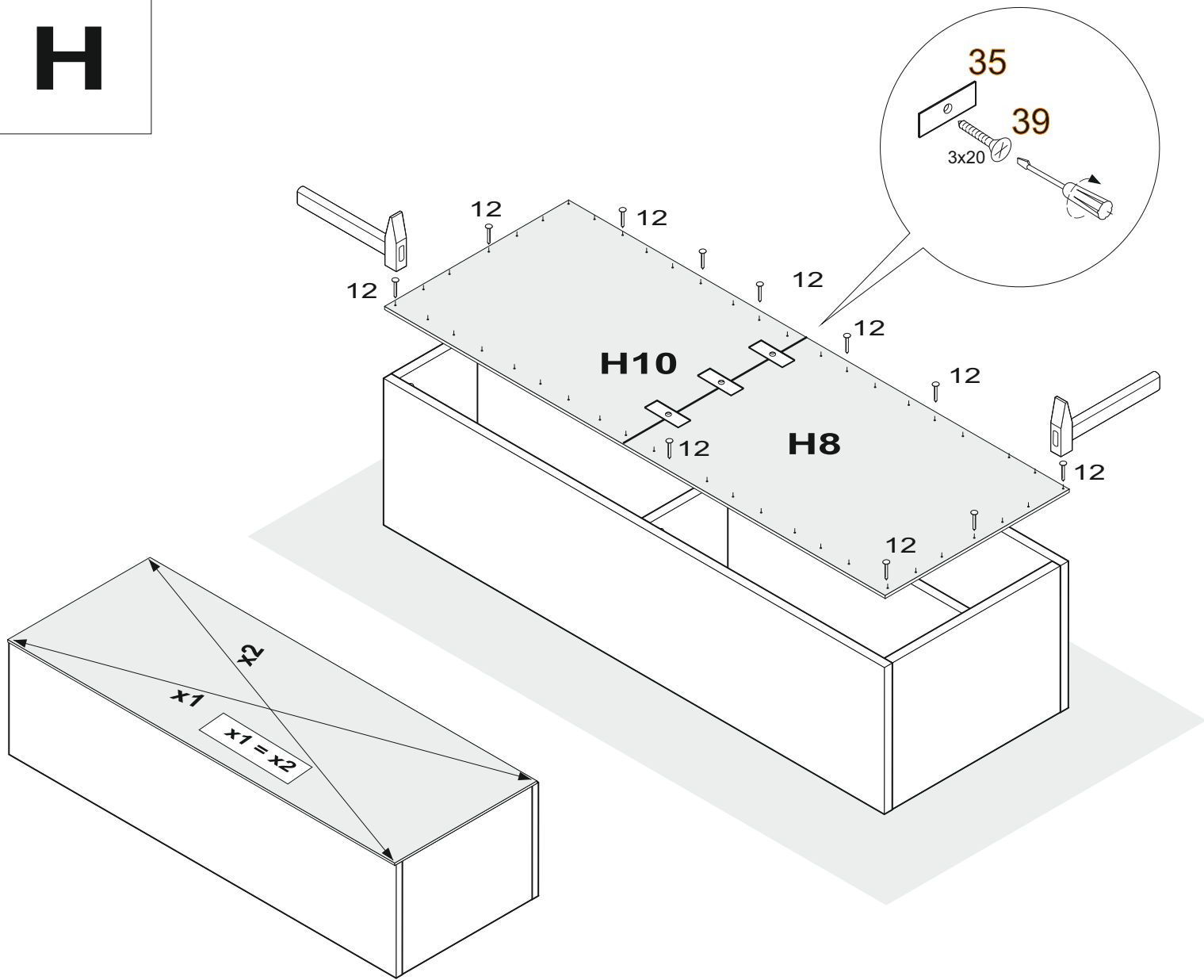
G

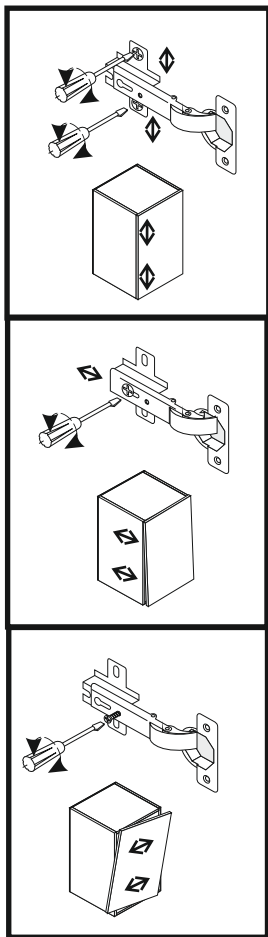


H

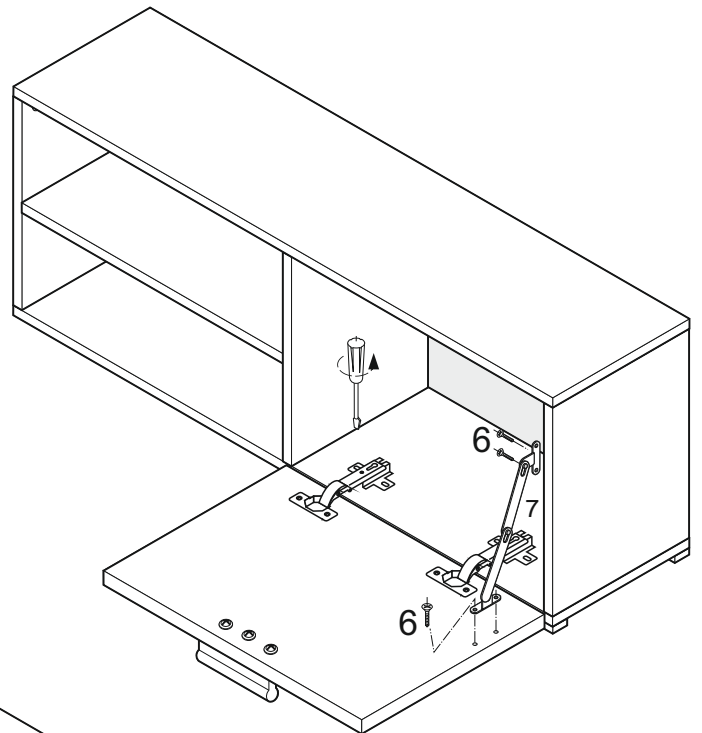
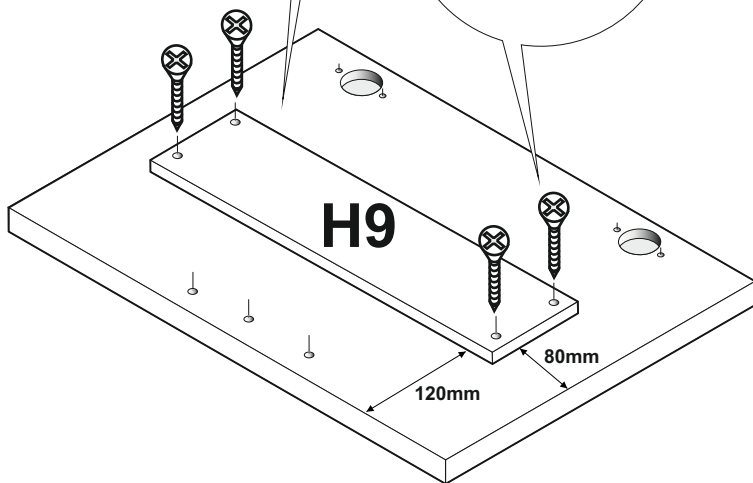
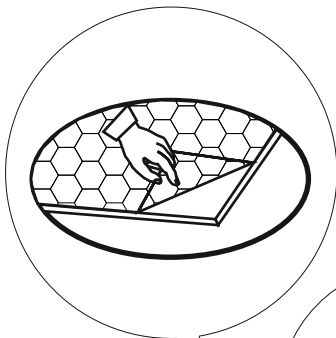
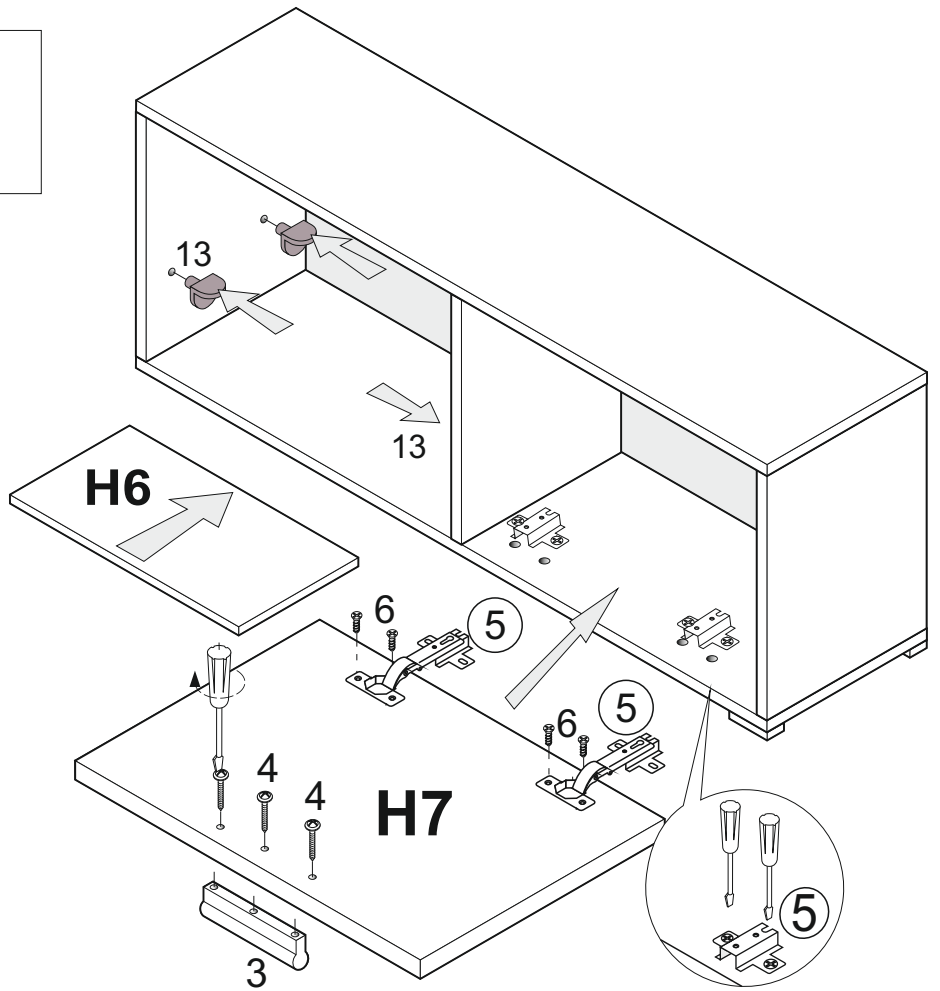


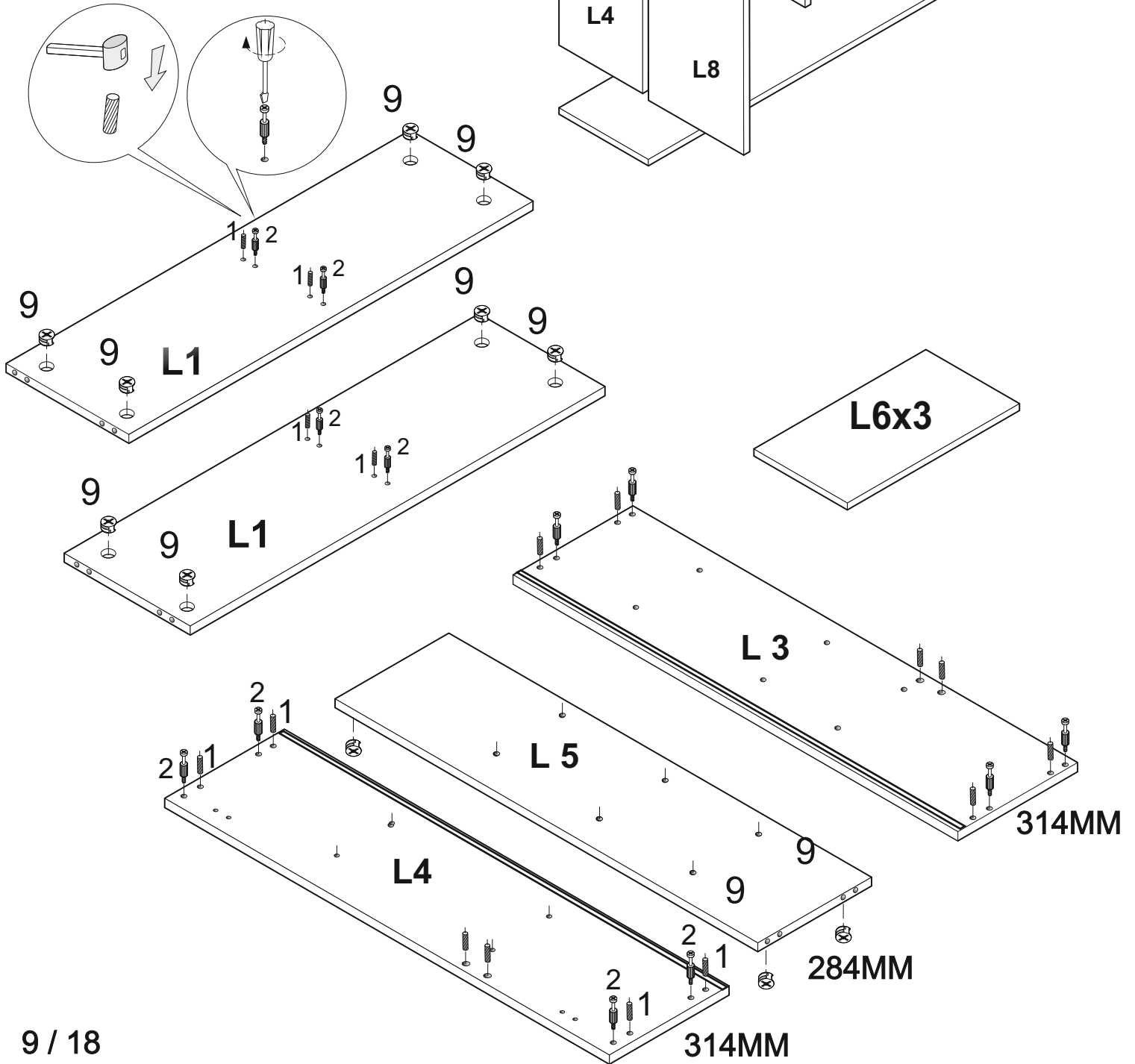
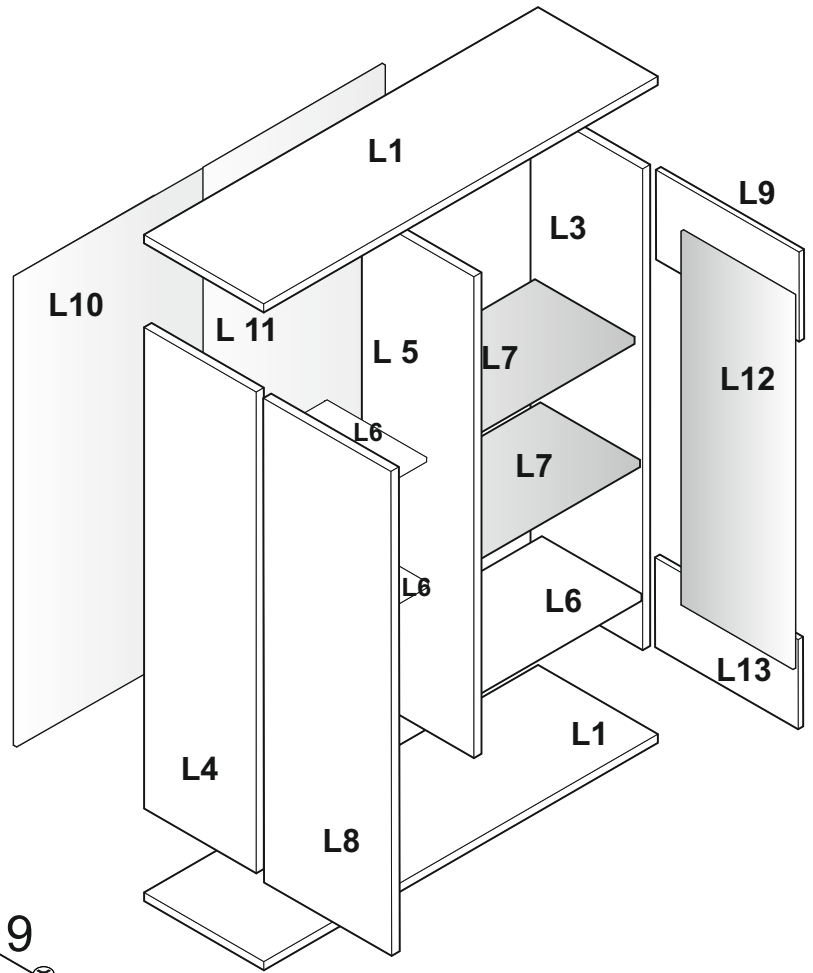
H

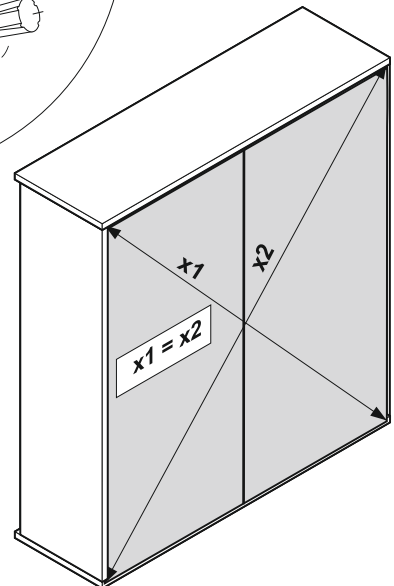
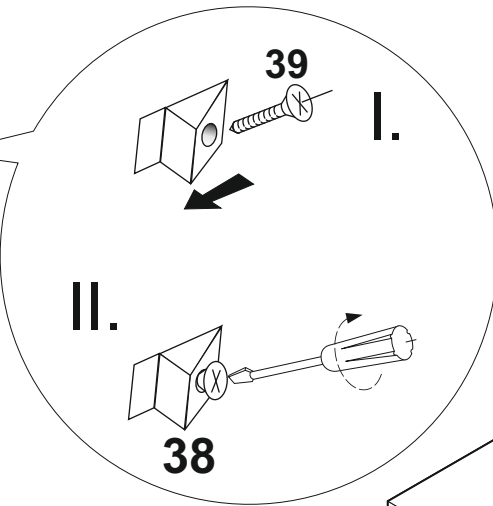
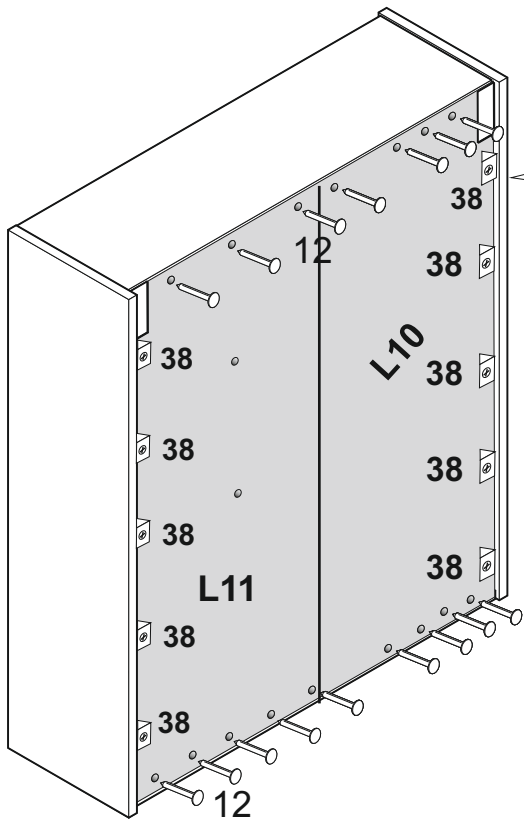
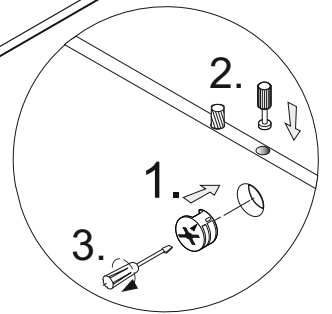
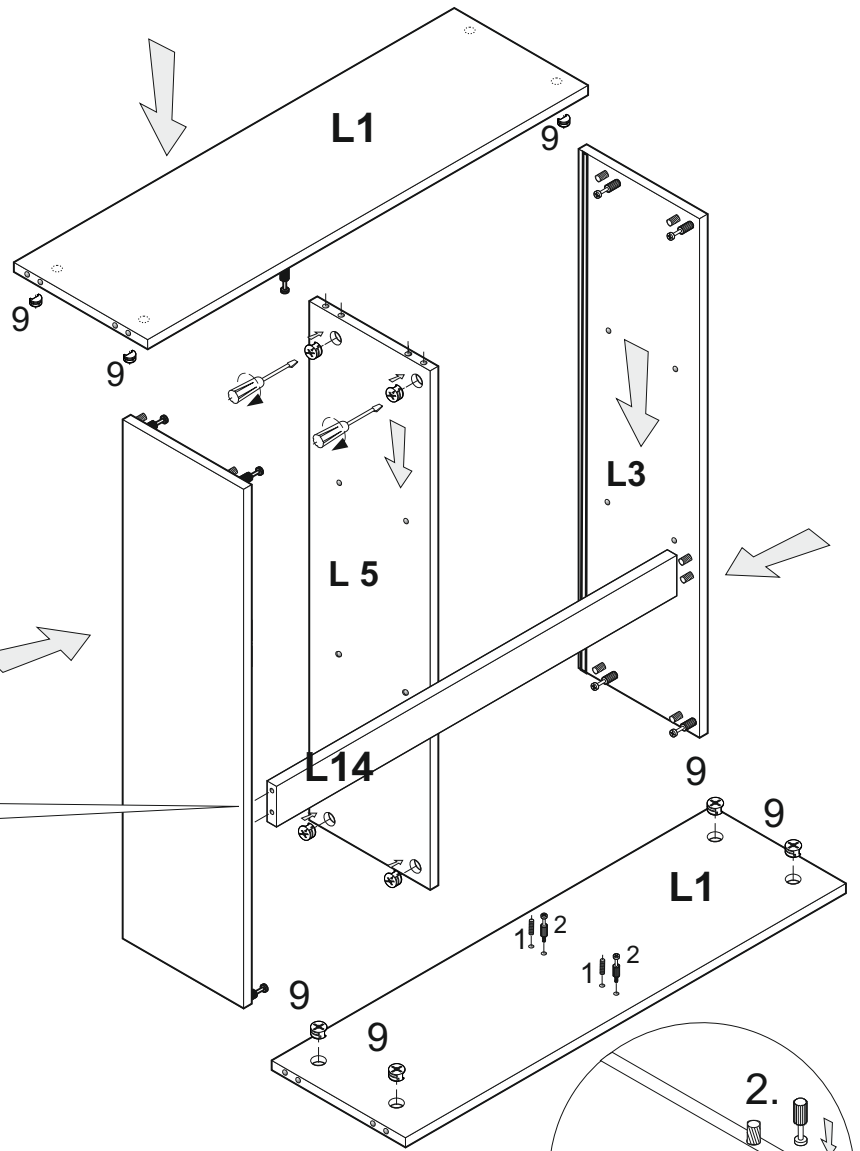
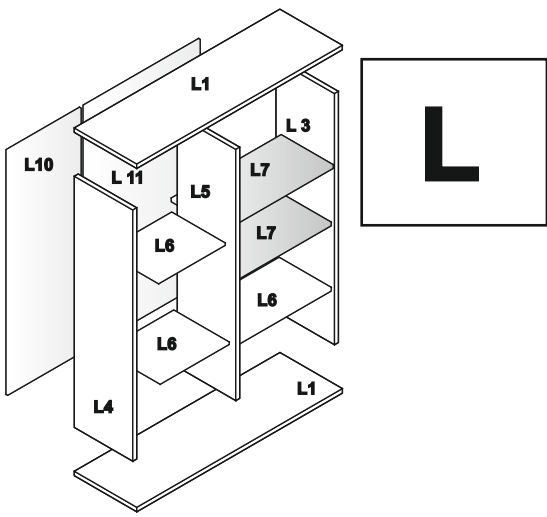


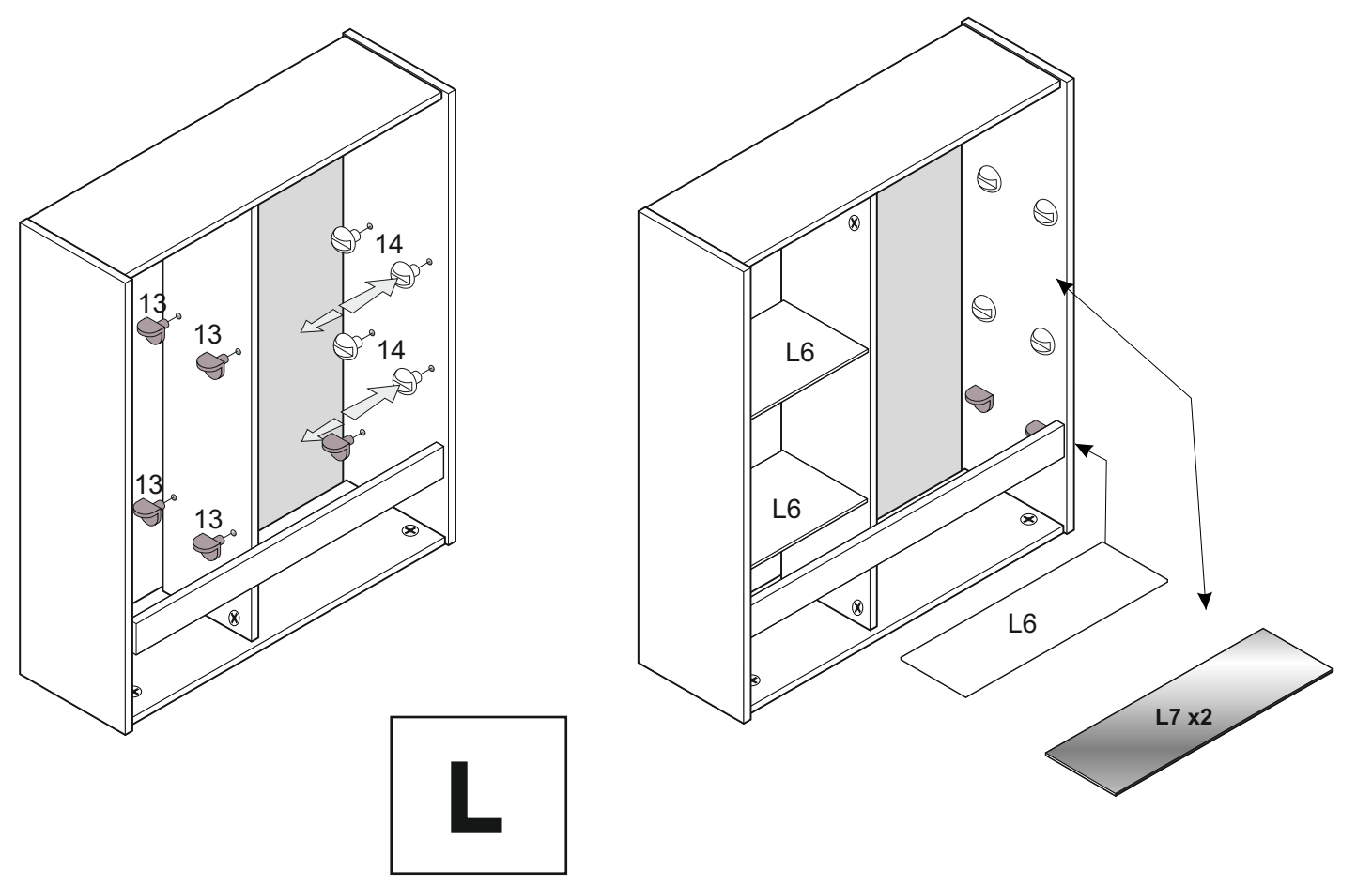
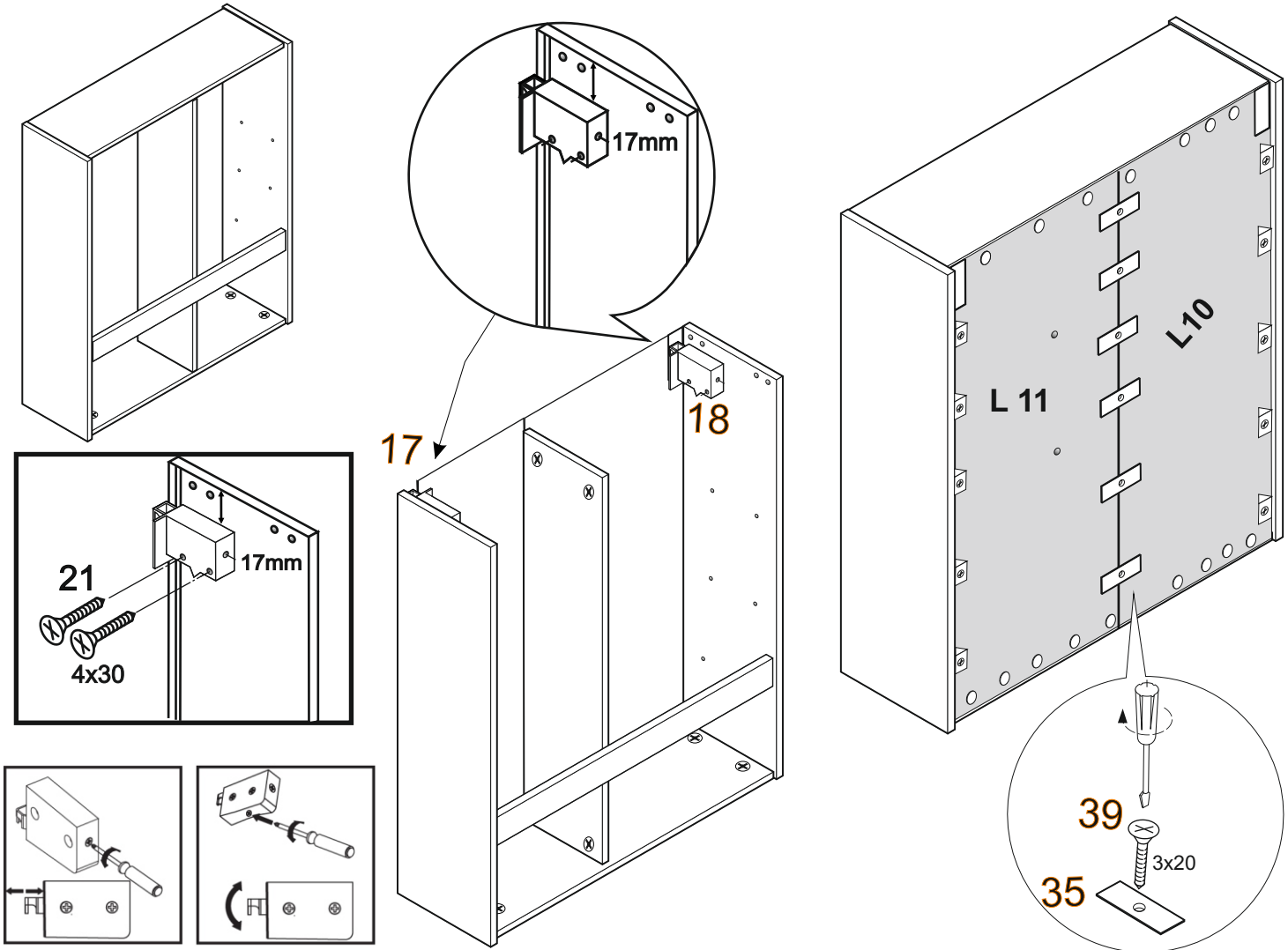


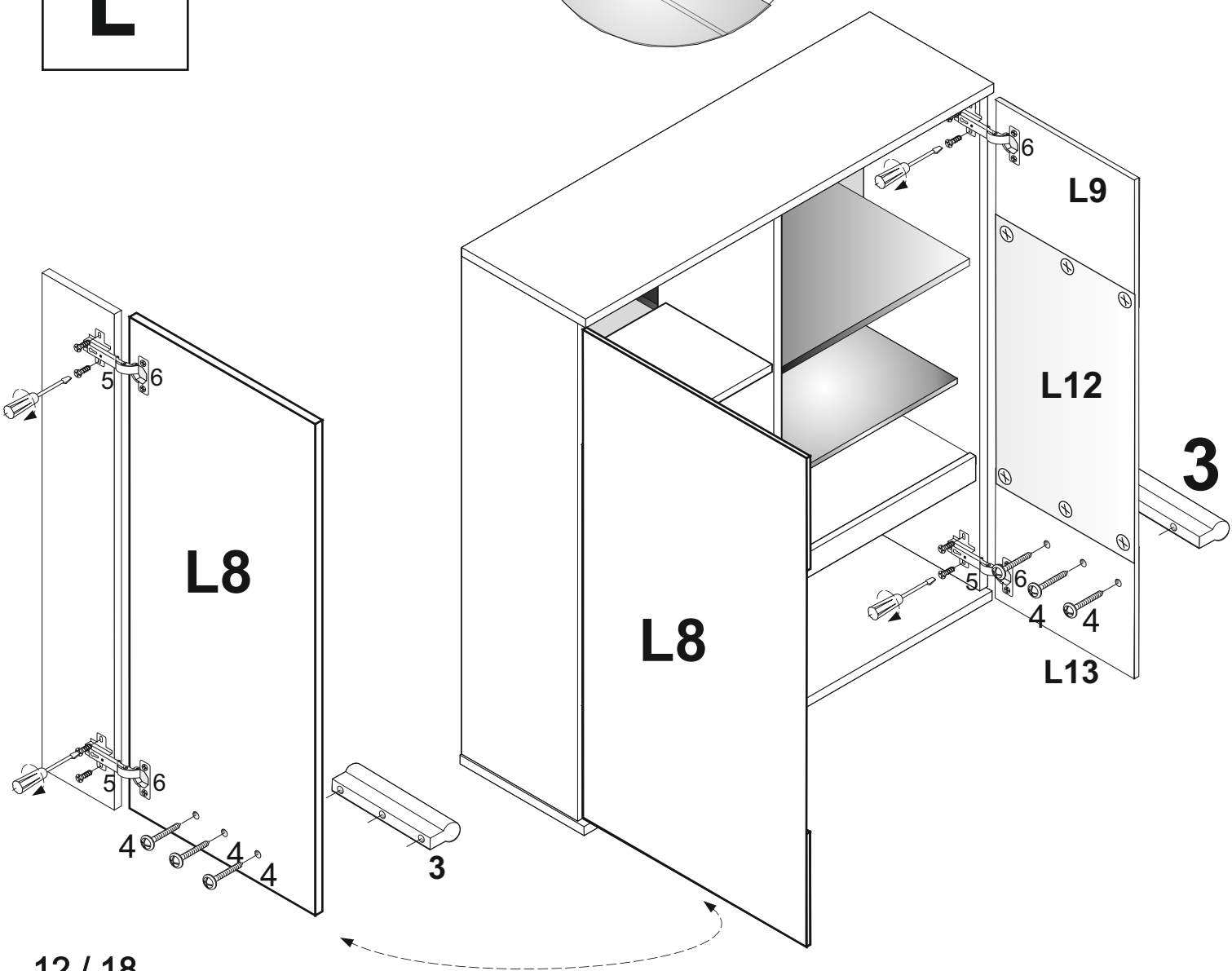
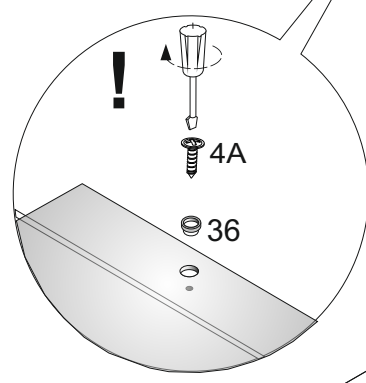
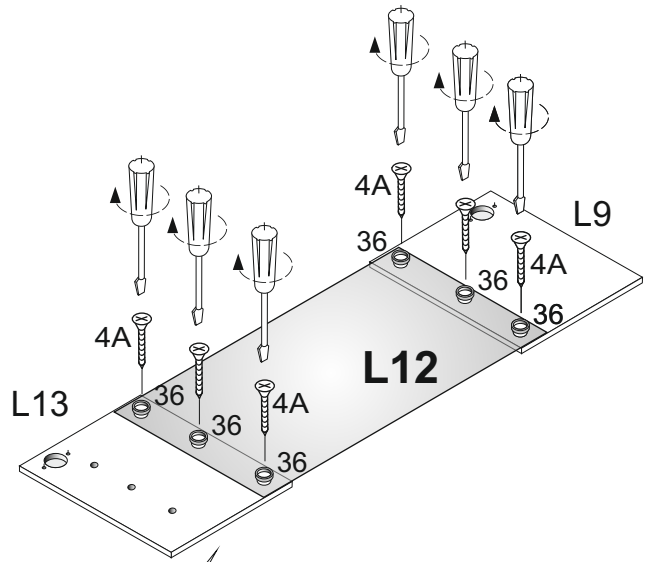
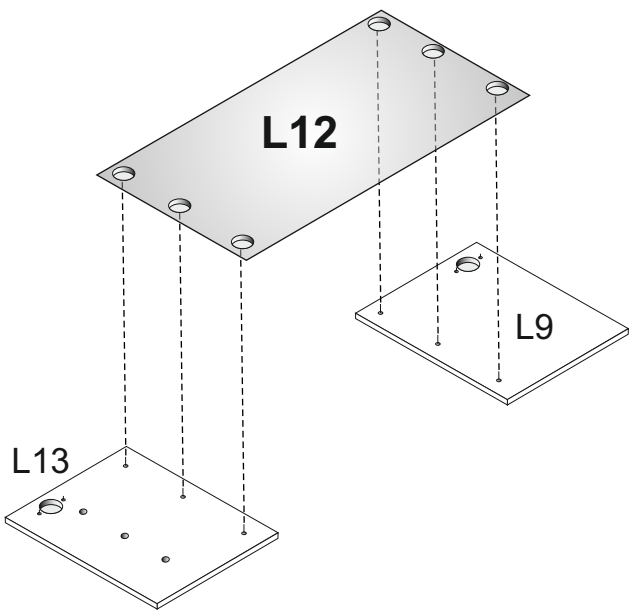
H

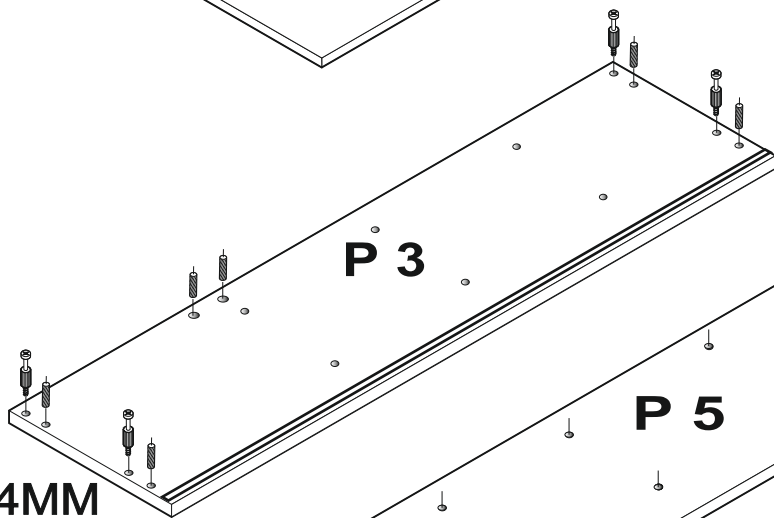
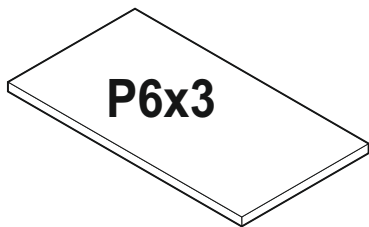
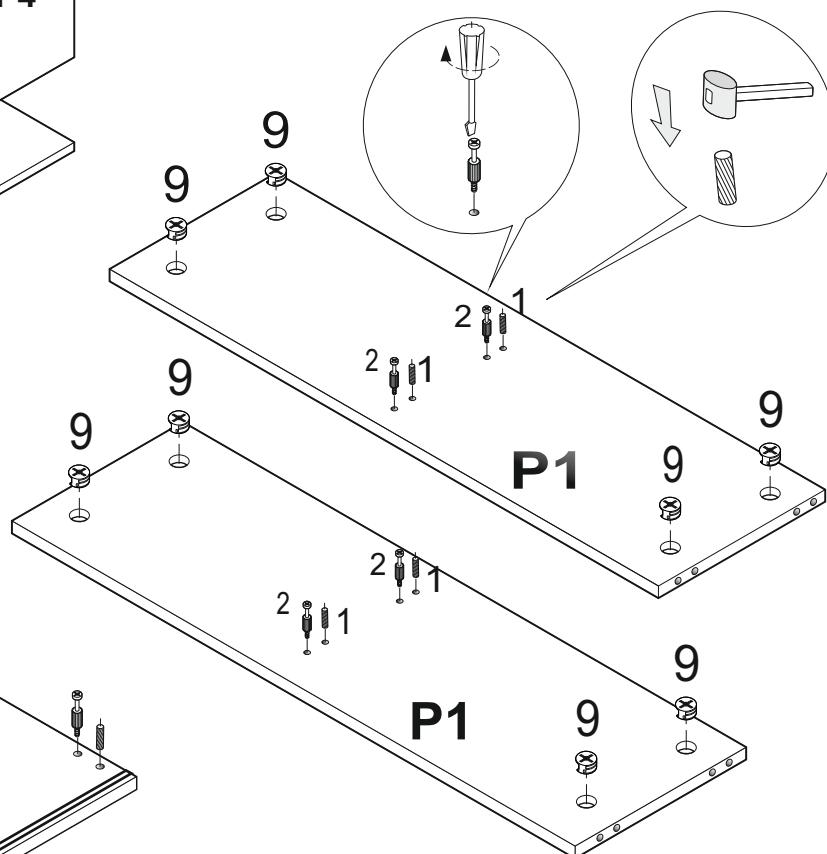
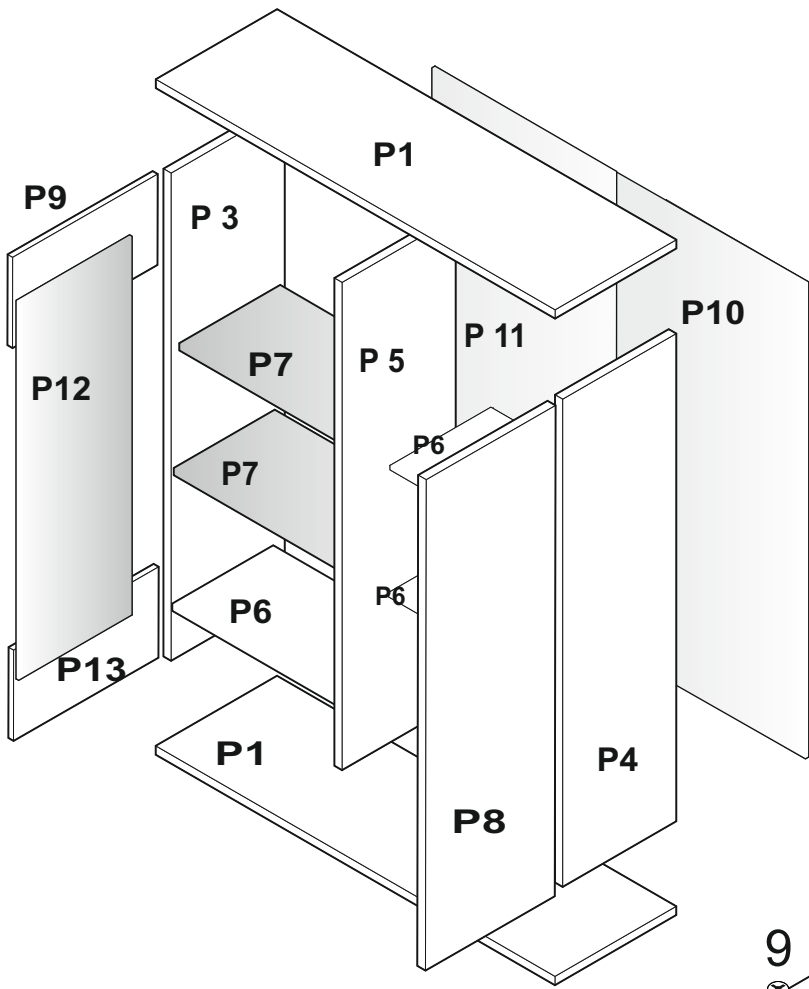




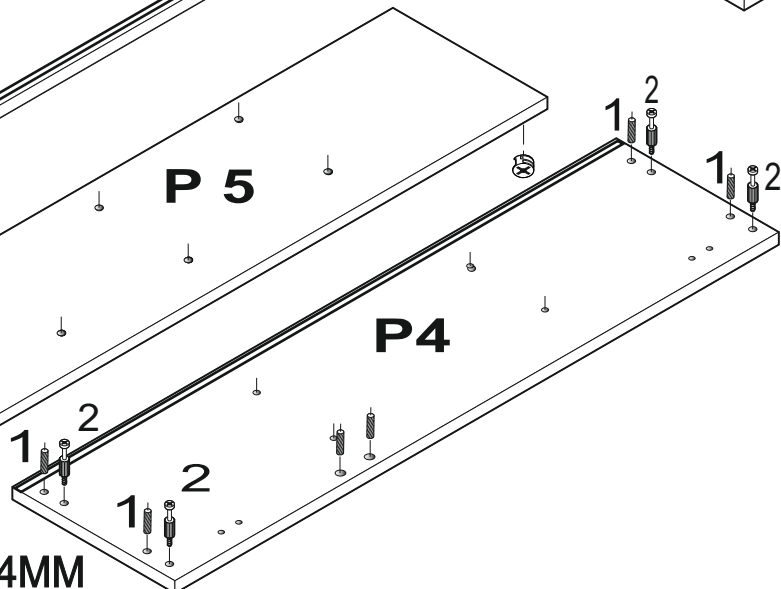
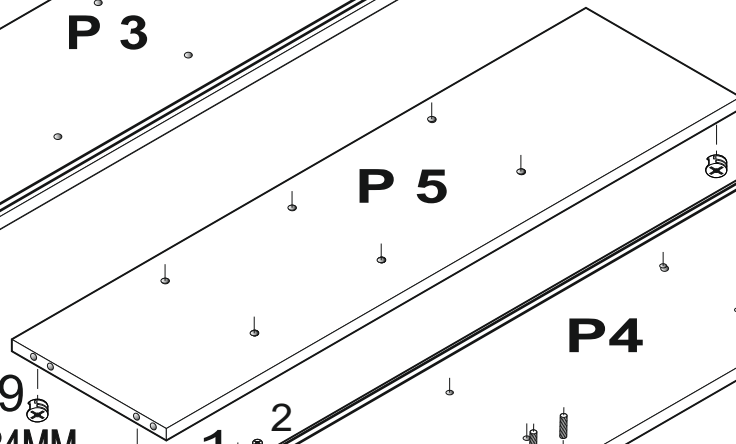






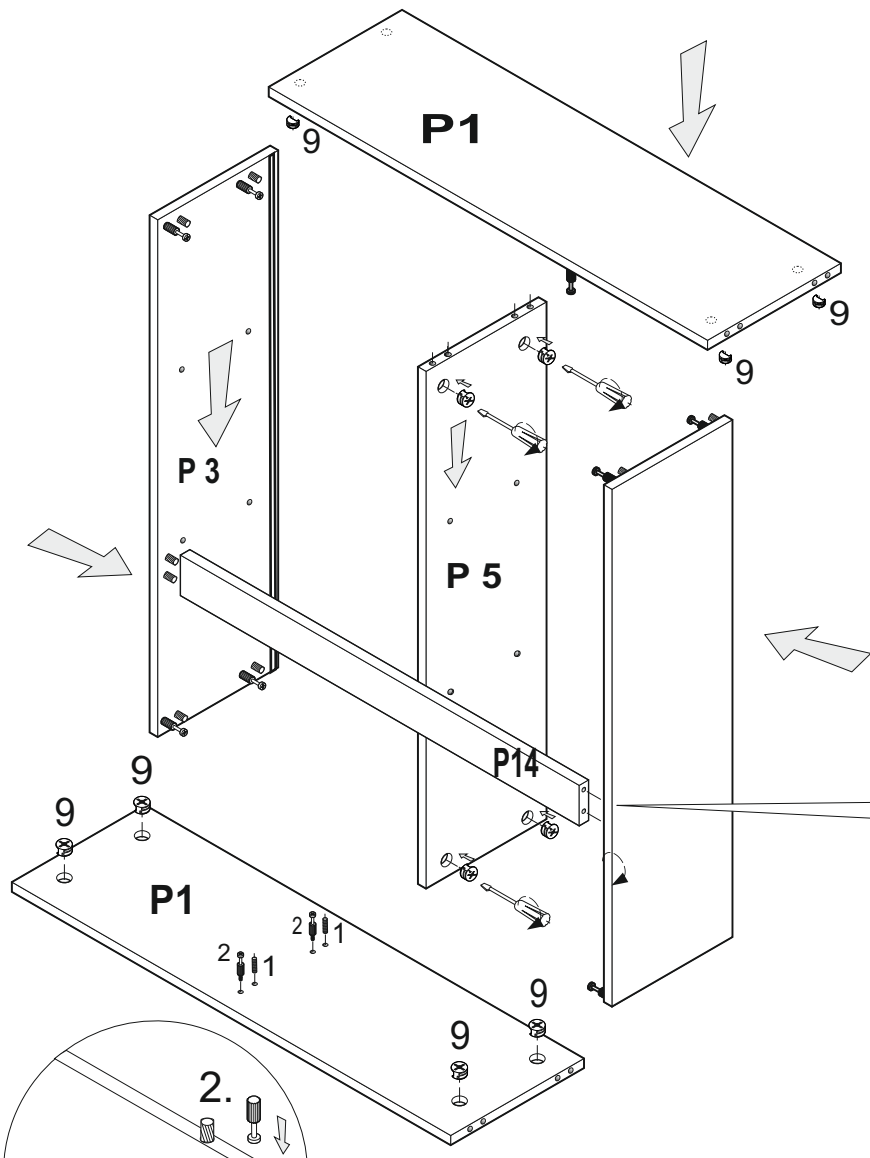


9
284MM



314MM

314MM



P

